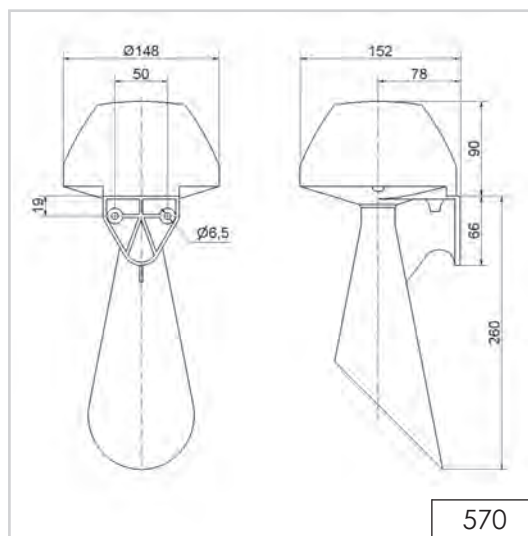
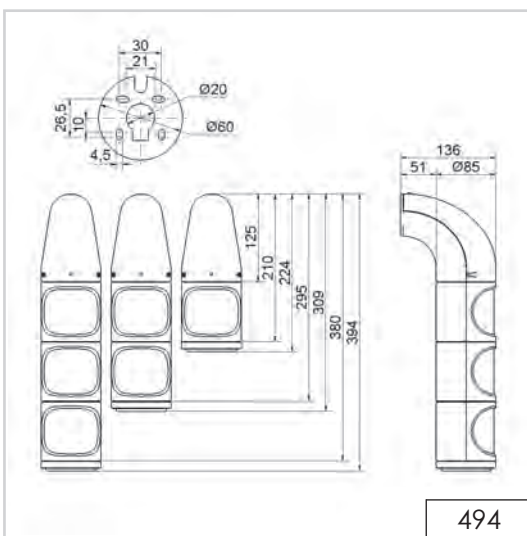
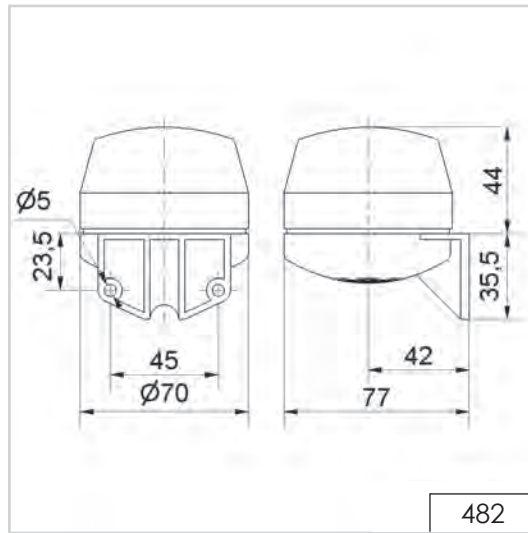
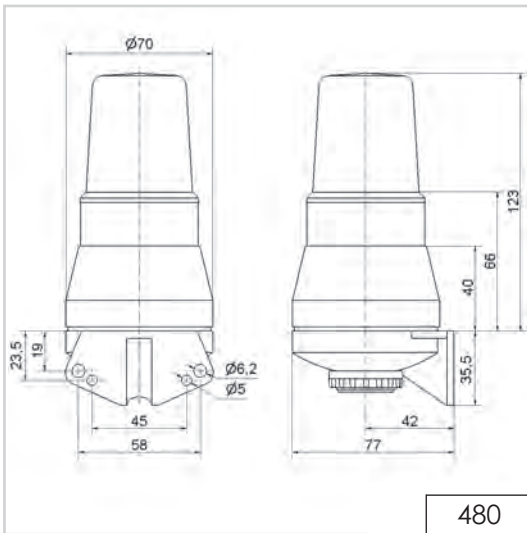
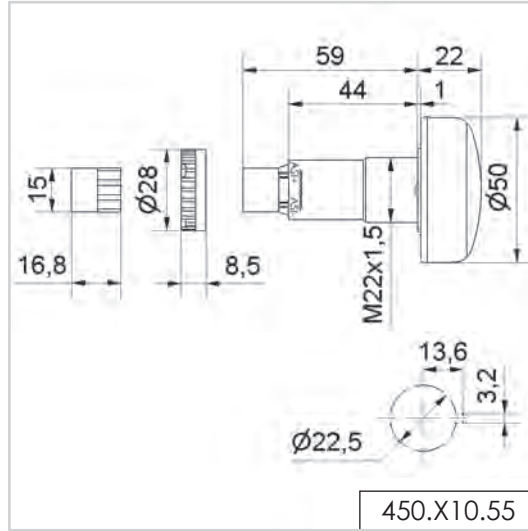
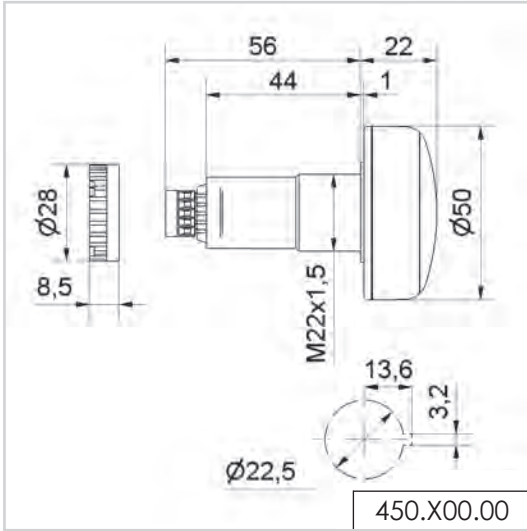


Technical Diagrams



Technical Diagrams